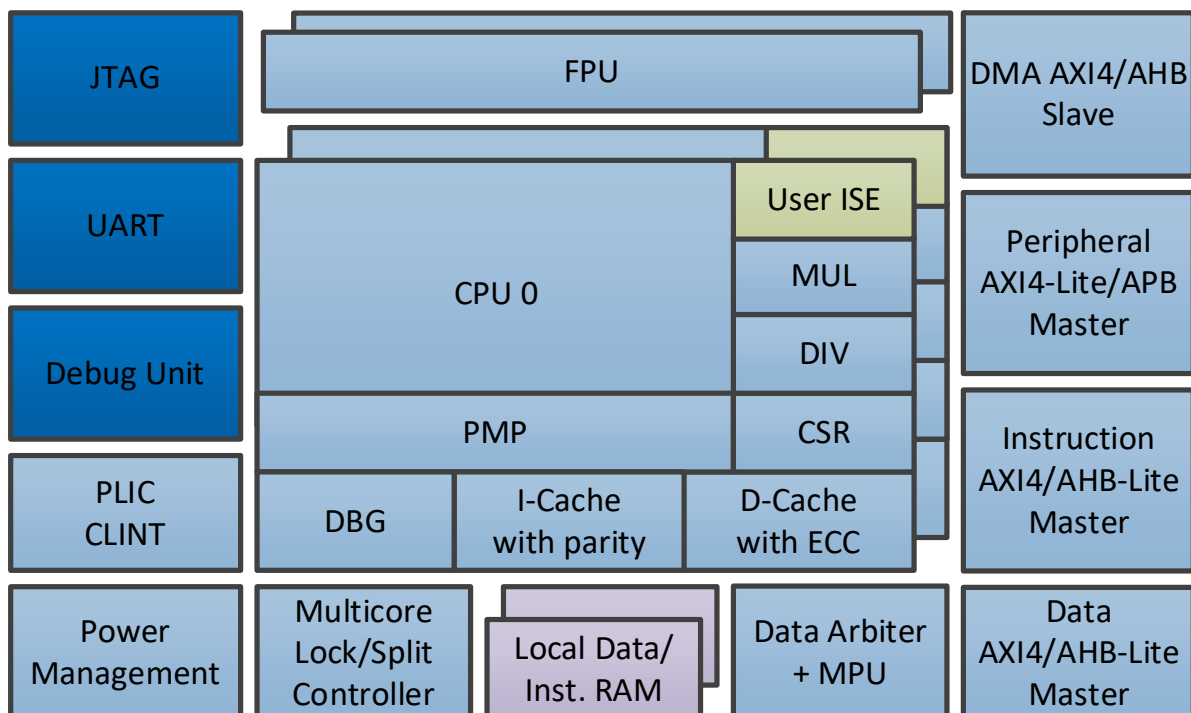


32-bit High Reliability CCRV32HR-C Processor Core

Features

- High Performance 32-bit RISC CPU
- Proprietary 6-stage pipeline
- RV32GCX instruction set
- Variable delayed dual-core lockstep operation
- Split dual-core mode for high-performance operation
- Up to 1.24 DMIPS/MHz/Core
- Up to 2.04 CoreMark/MHz/Core
- Custom instruction set extension
- Set-associative caches with data snooping and parity
- Power-down mode
- On-chip debug support
- Separate or joint Instruction/Data interface
- JTAG and UART Debug Link
- Free GNU-Based C/GDB toolchain
- Cycle accurate simulator
- Synthesizable RTL Verilog source code



office@chipcraft-ic.com

www.chipcraft-ic.com