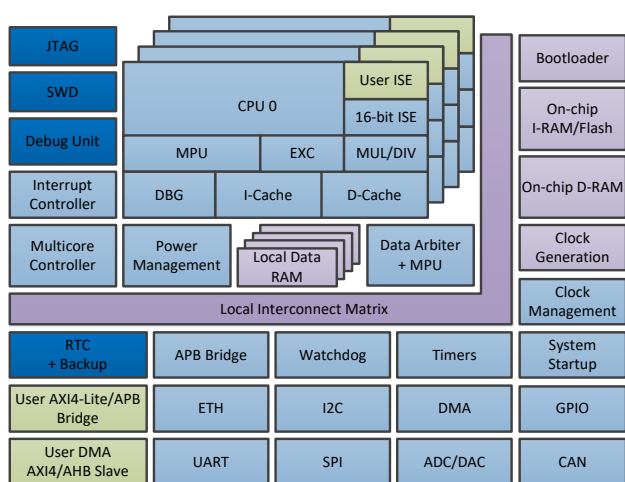
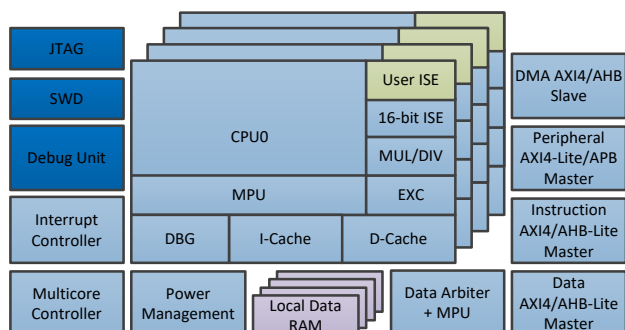


32-bit High Performance CC150 Processor/Microcontroller IP

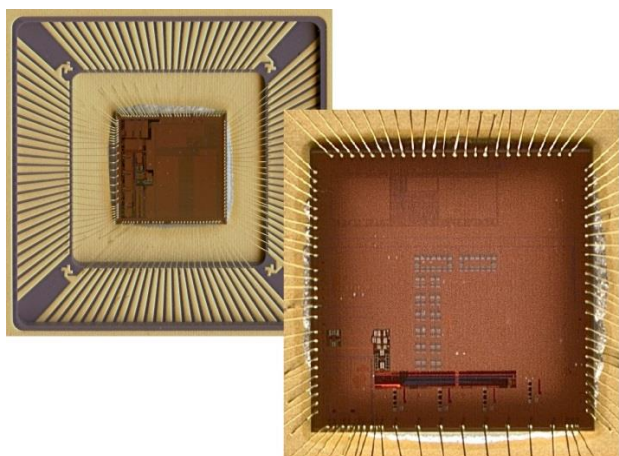


Features

- High Performance CC150-C Processor Core
- High Performance CC150-S System-on-Chip
- Proprietary 6-stage pipeline
- Based on MIPS[®]-II* instruction set
- MIPS16[™] code compression
- Single or multicore implementation
- Up to 1.37 DMIPS/MHz/Core
- Up to 2.29 CoreMark/MHz/Core
- Optional set-associative caches with data snooping
- Power-down mode
- On-chip debug support
- FPGA and silicon proven
- JTAG or 2-pin Serial Wire Debug

Benefits

- Synthesizable RTL Verilog source code
- Cycle accurate simulator
- Custom instruction set extension
- Mature free GNU-Based C/GDB toolchain
- Full implementation and maintenance support with individual approach
- Low-cost and flexible licensing
- Embedded solution for low-power and low-footprint applications
- Suitable for mobile, IoT and wearable devices



office@chipcraft-ic.com
www.chipcraft-ic.com

*All trademarks, registered trademarks, product names and company names or logos mentioned herein are the property of their respective owners.